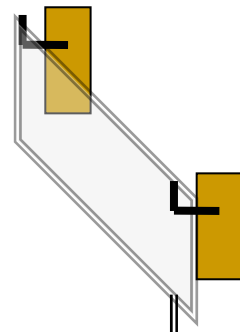
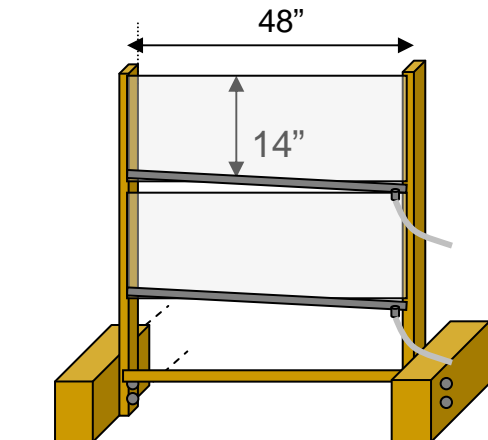
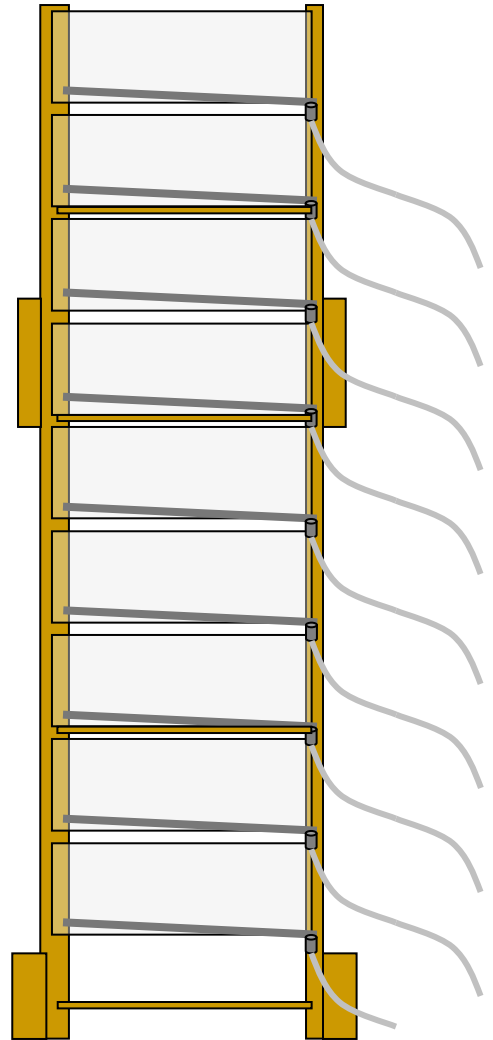
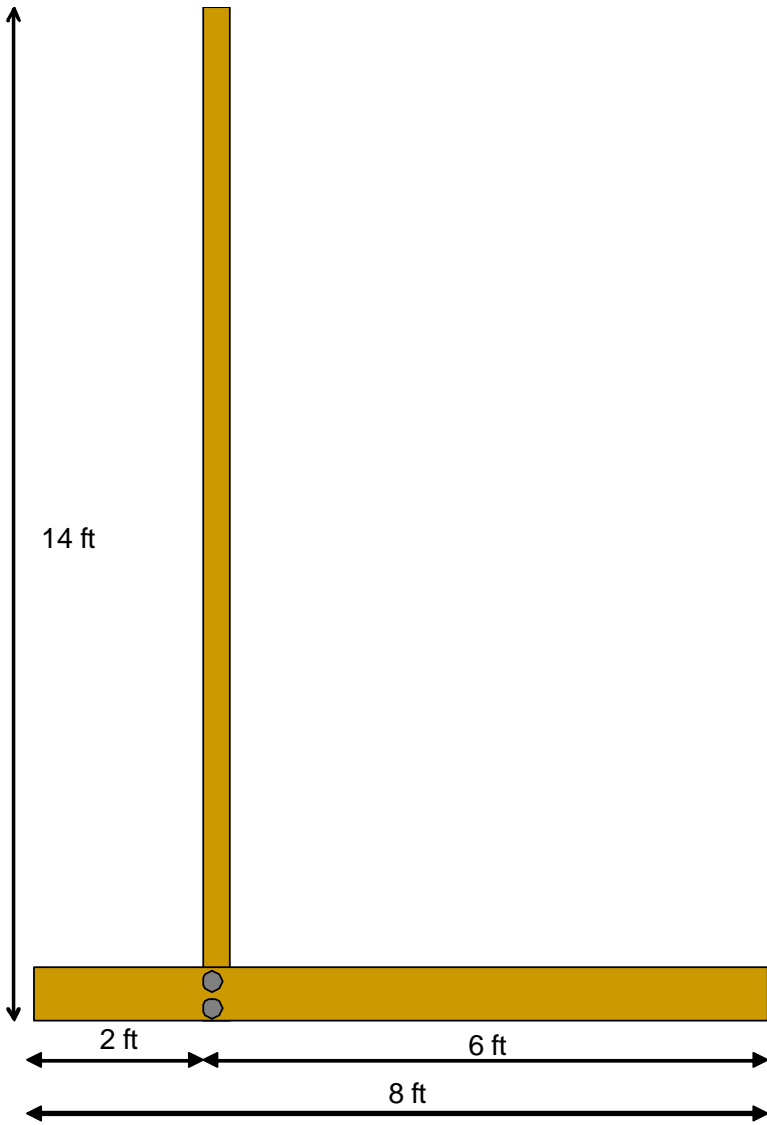




PRICE LIST

No.	Item	Units	Price/ud. (\$)	Total price (\$)
1	Graduated cylinders	10	7.00	70.00
2	Hosebarb	10	0.28	2.80
3	1 1/2 x 1 1/2 x 1/8 angle iron (ft)	37	1.64	60.68
4	1/8"x 2" x 6' angle iron steel	1	41.96	41.96
5	1/8" steel agle	2	5.48	10.96
6	Funnels (7" diameter)	10	6.19	61.90
7	Plastic frames (10" x 10")	11	12.95	142.45
8	PVC elbows (6" diameter)	10	17.76	177.60
9	5. Bolts & paint			68.20
10	Nuts & bolts & washers			11.48
11	Air conditioner foam			34.43
12	Rivets			2.50
13	Silicone			5.19
14	2' x 8' wood boards & bolts			33.58
15	Plastic hose			22.00
16	Paint and primer			17.16
17	Wood box & glue			57.44
	Total			820.33







PRICE LIST

No.	Item	Units	Price/ud. (\$)	Total price (\$)
1	Graduated cylinders	10	7.00	70.00
2	Hosebarb	10	0.28	2.80
3	2 x 4 x 10 wood boards	2	12.60	25.20
4	2x4x10 & 2x8x8 wood boards			21.08
5	Plastic gutter		5.48	62.28
6	Screen material	9	3.84	34.56
7	Screens built	9	20.70	186.30
8	Hooks	9	0.27	2.43
9	Bolts & washers			21.04
10	Copper drains	9	0.37	3.33
11	Hooks & fasteners	9	0.75	6.75
12	Wood & glue			28.72
13	Hose barbs	9	0.31	2.79
14	Plastic hose			22.00
	Total			489.28





Dalrymple patternator

